



SWING DOOR OPERATOR

CELEBRATING
25th
ANNIVERSARY

GANDHI
Automations Pvt Ltd

India's **No.1** Entrance Automation & Loading Bay Equipment Company

WAVE

Sturdy, Versatile - Heavy Duty Swing Door Operator

- Powerful, sleek and compact operator satisfying the needs of high traffic door and in compliance with European regulations
- Designed using new generation brushless motor leads to very silent operation
- Ideal solution for new installation as well as existing manual doors
- Stylish, compact operator with anodized extruded aluminium housing
- Low energy consumption
- Designed in compliance with EN 16005 norms
- Operating parameters can be adjusted and diagnostic information can be read on alpha numeric display
- Double leaf entrances can be automated by master slave configuration
- Low wear, maintenance free high performance operator

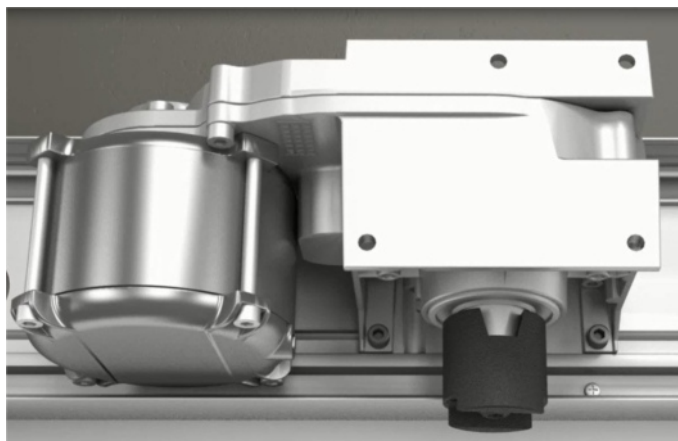
Brushless motor with reduction gear

Brushless motors instead of conventional DC motors with brush commutation increases efficiency of 30% and reduces electricity consumption.

The brushes are the component that is mostly subject to wear in a DC motor. The brushless motor, that has by definition no brushes and operates at a low speed of approximately 600 rpm, can be classified as a type of motor with no wear. Its service life is almost ten times longer compared to those of conventional DC gear motors and the frequency of maintenance is drastically reduced.

The lack of brushes makes these motors very silent. The exclusive, patented position of the Hall sensor in the motor makes it compact in size and highly functional and protects it from accidental breakage caused by clumsy external actions.

The reduction gear unit is housed in a double aluminium shell on which the brushless motor is fastened to and from which the pin connected to the wing movement arm comes out. The gear system on the reduction gear unit has been designed to guarantee maximum efficiency and total reversibility.



Technical specifications

Operating time	2 - 6s
Service class	Continuous operation
Intermittence	S3 = 100%

Internal durability test

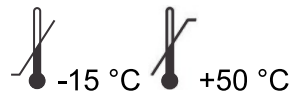


Power supply	100 - 240V 50/60Hz
Power	70W
Stand-by	8W

Rated load 40 Nm

Degree of protection IP 20

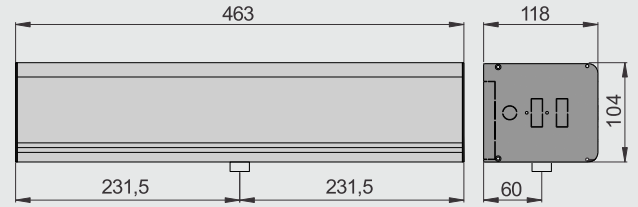
Operating temperature



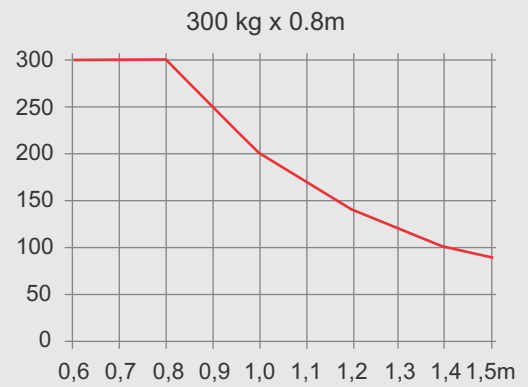
Parameter adjustment Buttons and display

Accessory output 12 Vdc (1 A max)

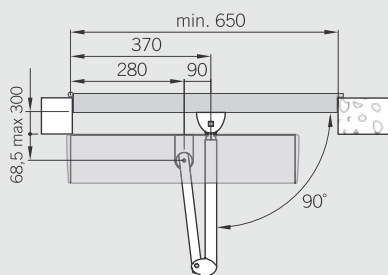
Dimensions



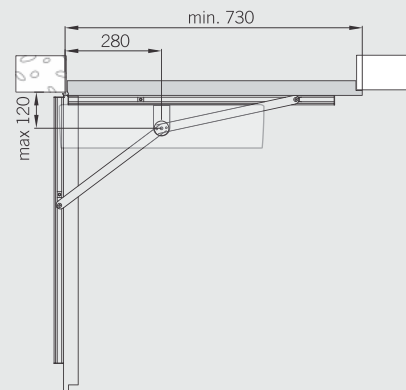
Operation diagram

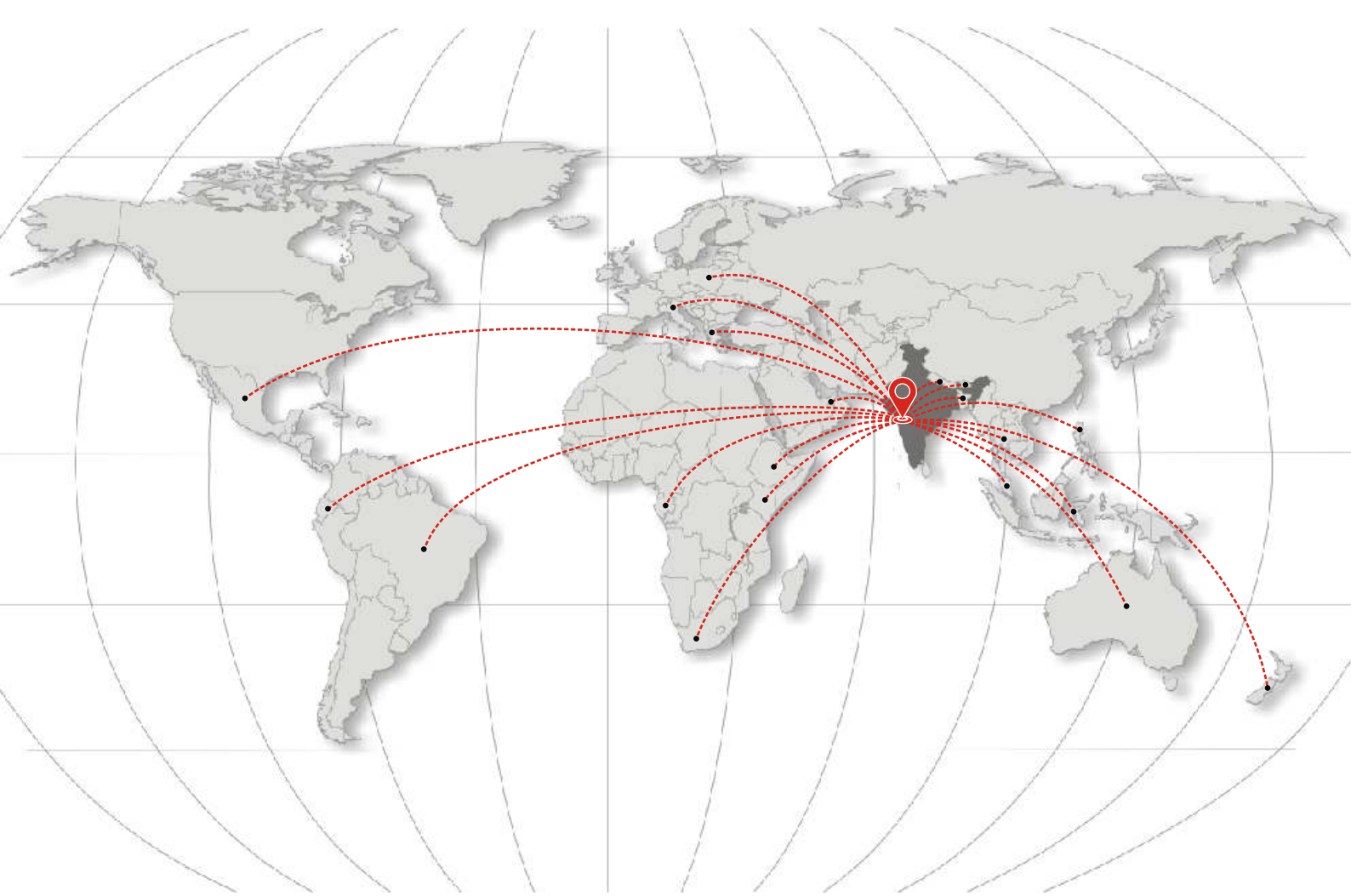


Articulated arm for doors : WAVE-BA



Sliding arm for doors : WAVE-BS





STAR EXPORT HOUSE
(Government of India Recognised)



ISO 9001 : 2015, ISO 14001 : 2015
ISO 45001 : 2018

Gandhi Automations operates a policy of continuous development and reserves the right to make technical modifications / replacements without prior notice.

GANDHI

Automations Pvt Ltd

India's No.1 Entrance Automation & Loading Bay Equipment Company

CORPORATE OFFICE

Chawda Commercial Centre, Link Road, Malad (W), Mumbai-400064, India

Tel : +91 22 6672 0200 / 6672 0300 (200 Lines)

Fax : +91 22 6672 0201

Email : sales@geapl.co.in

Website: www.geapl.co.in



TOLL FREE

1800 209 0200

From Anywhere in India

Ahmedabad - 93273 01555
Bengaluru - 93435 09090
Bhopal - 93292 94939
Bhubaneswar - 93385 69889
Chandigarh - 93176 41324
Chennai - 93809 31777
Coimbatore - 93452 99944
Goa - 93731 37970
Guwahati - 93248 98159

Hyderabad - 93473 75737
Indore - 93034 64410
Jaipur - 93520 41024
Jamshedpur - 93219 76556
Kochi - 93882 04774
Kolkata - 93300 60855
Lucknow - 93055 67760
Mangalore - 93797 41352
Nagpur - 93250 45410

New Delhi - 93131 99044
Patna - 93219 76557
Pune - 93245 30710
Raipur - 93524 40068
Ranchi - 93044 95570
Surat - 93270 97410
Vadodara - 93756 41357
Visakhapatnam - 93463 34102